



AT 120 HR HY

FLOAT LEVEL SWITCH

For automatic regulation with one single device



USE

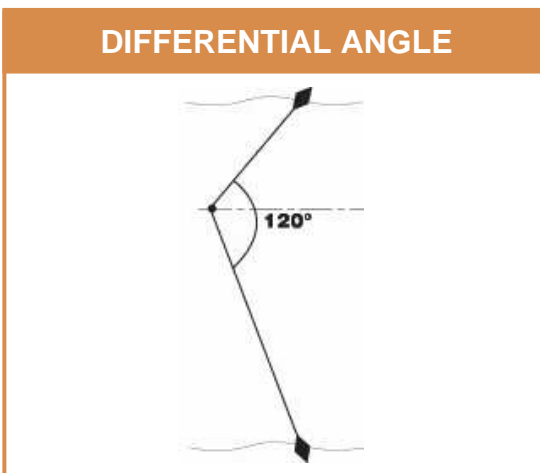
- V or R - Emptying or Filling
- VR - Emptying / Filling
- VT - Emptying + Ground
- VS - Emptying + double function plug

SIZE

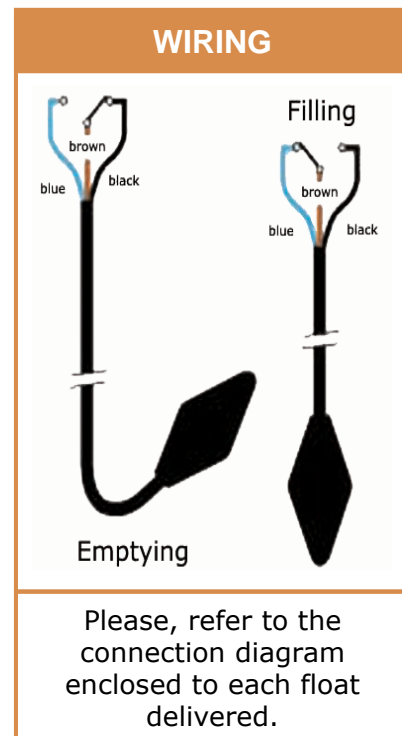
Height : 200 mm - Diameter: 92 mm



DIFFERENTIAL ANGLE



WIRING



APPLIANCES

Similar to the AT 120 and thanks to its double shape in HR HY (hypalon), it is especially recommended for aggressive liquids including bases, acids and oils products...
(please, refer to the technical sheet of the AT 120)

TECHNICAL CHARACTERISTICS

Operation mode	Omnidirectional
Allowed fluid density	0,80 a 1,10
Maximum pressure	4 bars
Maximum temperature	90°C
Protection index	IP 68 <input type="checkbox"/>
Electric characteristics	250 VAC- 50/60 Hz
Cut-out power	20 (8) A (20 A resistive - 8 A inductive)
Microswitch	Silver / Cd oxide reverser contacts
Biconical shell	Copolymer polypropylene + HR HY (hypalon)
Cable	HR HY (hypalon) H07RN8-F
Cable type	2 or 3 conductors 1 mm ² (with or without T, according to versions)
Float weight without cable	295 g
Cable weight	HR HY 110 g/m
Adjustable ballast on cable (option)	Loaded resin 250 g or ecological « clip » ballast 275 g
Standard cable length (series)	1, 3, 5, 10 and 20m (other lengths on request)



AT 120

FLOAT LEVEL SWITCH

For automatic regulation with one single device



USE

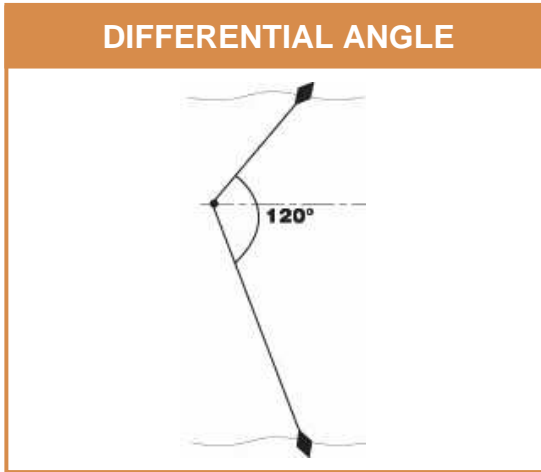
- V or R – Emptying or Filling
- VR – Emptying / Filling
- VT – Emptying + Ground
- VS – Emptying + double function plug

SIZE

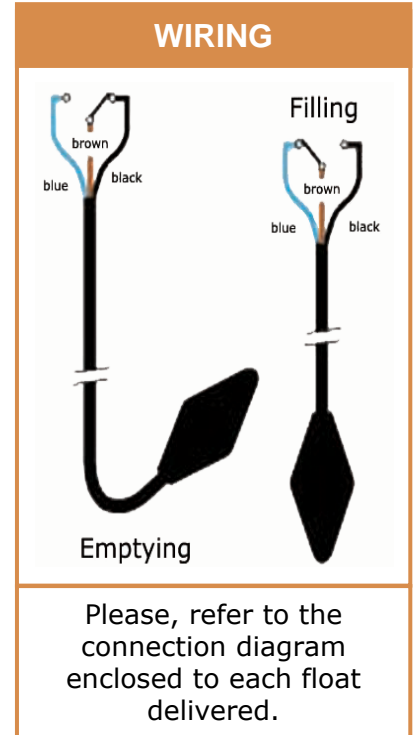
Height: 170 mm – Diameter: 80 mm



DIFFERENTIAL ANGLE



WIRING



Please, refer to the connection diagram enclosed to each float delivered.

APPLIANCES

Suitable for various, rough and loaded liquids. Its 120° working differential angle nearly eliminates all jerks on the pumps motors. Its shape is similar to the SOBA model.

TECHNICAL CHARACTERISTICS

Operation mode	Omnidirectional
Allowed fluid density	0,70 a 1,15
Maximum pressure	3,5 bars
Maximum temperature	85°C
Protection index	IP 68 <input type="checkbox"/>
Electric characteristics	250 VAC- 50/60 Hz
Cut-out power	20 (8) A (20 A resistive - 8 A inductive)
Microswitch	Silver / Cd oxide reverser contacts
Biconical shell	Copolymer polypropylene
Cable	Neoprene or HR HY (hypalon) H07RN8-F
Cable type	2 or 3 conductors 1 mm ² (with or without T, according to versions)
Float weight without cable	195 g
Cable weight	Neoprene 115 g/m – HR HY 110 g/m
Adjustable ballast on cable (option)	Loaded resin 250 g
Standard cable length (series)	1, 3, 5, 10 and 20m (other lengths on request)